

Single Beam Couplings RBC ... EWS-STE

with set screw
made of steel, stainless



Features

- Small coupling for universal use
- Backlash-free angle-synchronous transmission of rotary movements
- For medium torques
- Made of stainless steel 17-4PH, Material no. 1.4542
- Optimum compensation of shaft misalignments
- Typical applications: Encoders, tachogenerators, spindle drives

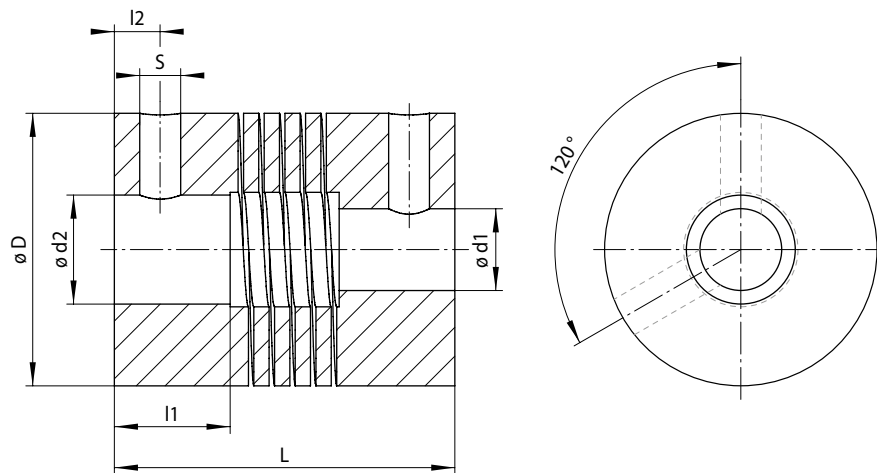
Order example

	Code
Coupling design	RBC
Coupling size	0030
Type	EWS
Material: • Steel, stainless	STE
Bore diameter d1 = 11 mm	011.00
Bore diameter d2 = 10 mm	010.00

RBC 0030 EWS-STE-011.00-010.00

Single Beam Couplings RBC ... EWS-STE

with set screw
made of steel, stainless



7-1

Coupling size	Standard bore combinations d1 / d2 mm	Torque			Max. speed min ⁻¹	Stiffness			Moment of inertia ¹⁾ x10 ⁻⁶ kgm ²	Screw tightening torque Nm	Permissible shaft misalignment		
		short-term Nm	one-sided Nm	reversing Nm		Torsional stiffness Ct Nm/rad	Radial spring stiffness N/mm	Axial spring stiffness N/mm			Axial mm	Radial mm	Angular °
0015	4 / 4	1,3	0,65	0,33	10 000	22,0	368	81	0,67	1,0	± 0,25	± 0,25	5
	5 / 4	1,2	0,6	0,3		15,5	285	55					
	5 / 5	1,2	0,6	0,3		15,5	285	55					
0020	5 / 5	2,5	1,3	0,7	10 000	44,1	418	58	2,13	1,0	± 0,25	± 0,25	5
	6 / 5	2,3	1,2	0,6		35,8	346	42					
0025	6 / 6	2,3	1,2	0,6	10 000	35,8	346	42	6,45	2,1	± 0,25	± 0,25	5
	6 / 6	5,7	2,9	1,5		101,0	662	95					
	8 / 6	5,1	2,6	1,3		69,9	490	58					
	8 / 8	5,1	2,6	1,3		69,9	490	58					
	10 / 6	4,3	2,2	1,1		44,1	354	38					
	10 / 8	4,3	2,2	1,1		44,1	354	38					
	10 / 10	4,3	2,2	1,1		44,1	354	38					
0030	10 / 10	8,9	4,5	2,3	10 000	119,4	538	71	16,2	4,7	± 0,25	± 0,25	5
	12 / 10	7,7	3,9	2,0		81,9	412	49					
	12 / 12	7,7	3,9	2,0		81,9	412	49					

Bore tolerance: 0/+ 0.05 mm; Shaft tolerance (recommended): - 0.005/- 0.013 mm
¹⁾ Values based on the smallest bore diameter

Coupling size	D	L	l1	l2	S	Weight ¹⁾
	mm	mm	mm	mm	mm	g
0015	15	20	4,8	2,5	M3	23
0020	20	20	4,8	2,5	M3	41
0025	25	24	5,9	3,0	M4	78
0030	30	30	6,8	3,5	M5	132

¹⁾ Values based on the smallest bore diameter
 Other sizes and designs with special bores (including inch dimensions) on request